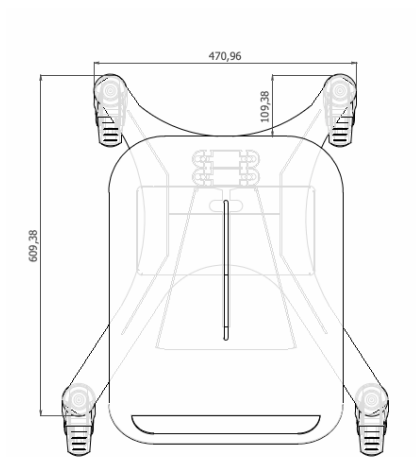
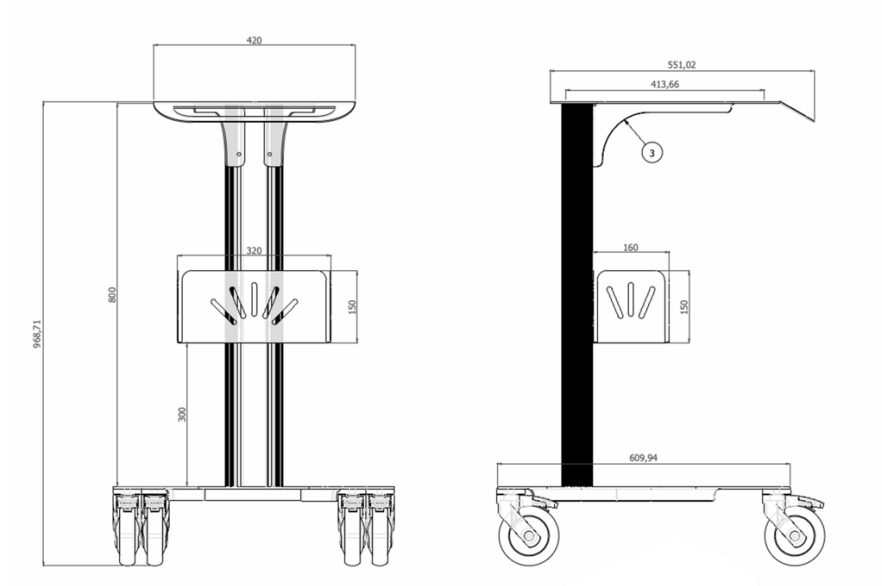


**MOBILE DEVICE ON WHEELS FOR SUPPORT
MEDICAL EQUIPMENT
DATA SHEET**



DESCRIPTION:

Mobile trolley for the support of medical equipment

COMPOSITION:

The trolley consists of:

1. Lasered base with n.4 wheels diameter 80mm
2. Aluminium column
3. Iron basket
4. Shelf with integrated handle

Base:

- Structure in painted steel sheet designed to avoid any overturning on which the aluminum support bar is screwed by means of screws, in the underlying part are positioned the four wheels, Treatment with epoxy paint finish in thermal tunnel 200°.

Wheels:

1. **Support:** Polyamide plastic
2. **Pirouette:** on double turn of balls
3. **Band:** non-marking grey synthetic rubber
4. **Core:** Polypropylene
5. **Diameter:** 80mm
6. **Capacity:** Kg.100 each
7. **Front wheels:** with double-action brake (*simultaneous swivelling and rolling lock*)
8. **Fixing:** fixing to the base with plug-in system

Uprights:

1. Nr.1 central upright in ergonomic extruded aluminum made on our design, firmly fixed to the base of the trolley by means of 4 screws each in galvanized steel. The upright includes 2 tracks (hollows) in the longitudinal direction, these rails are used to fix the various components of the trolley and any accessories

| | |
|--------------------|---------------------|
| Material: | Metal and Aluminium |
| Dimensions: | 610x590x92H cm |
| Weight: | 20 Kg |

The trolleys can be supplied disassembled in KIT or even already assembled and complete with:

1. CE mark,
2. Declaration of Conformity,
3. Assembly instructions

The device is subject to the conformity assessment procedure provided for in Article 52, point 7 of Regulation 2017/745 / EU

Regulation (EU) 2017/745 of the European Parliament and of the Council of 5 April 2017 on medical devices, amending Directive 2001/83/EC, Regulation (EC) No 178/2002 and Regulation (EC) No 1223/2009 and repealing Council Directives 90/385/EEC and 93/42/EEC (Text with EEA relevance.)

Registration Ministry of Health – national classification of medical devices

CND V0880 - Repertoire No. 2490597/R