

DATA SHEET

PRODUCT DESCRIPTION

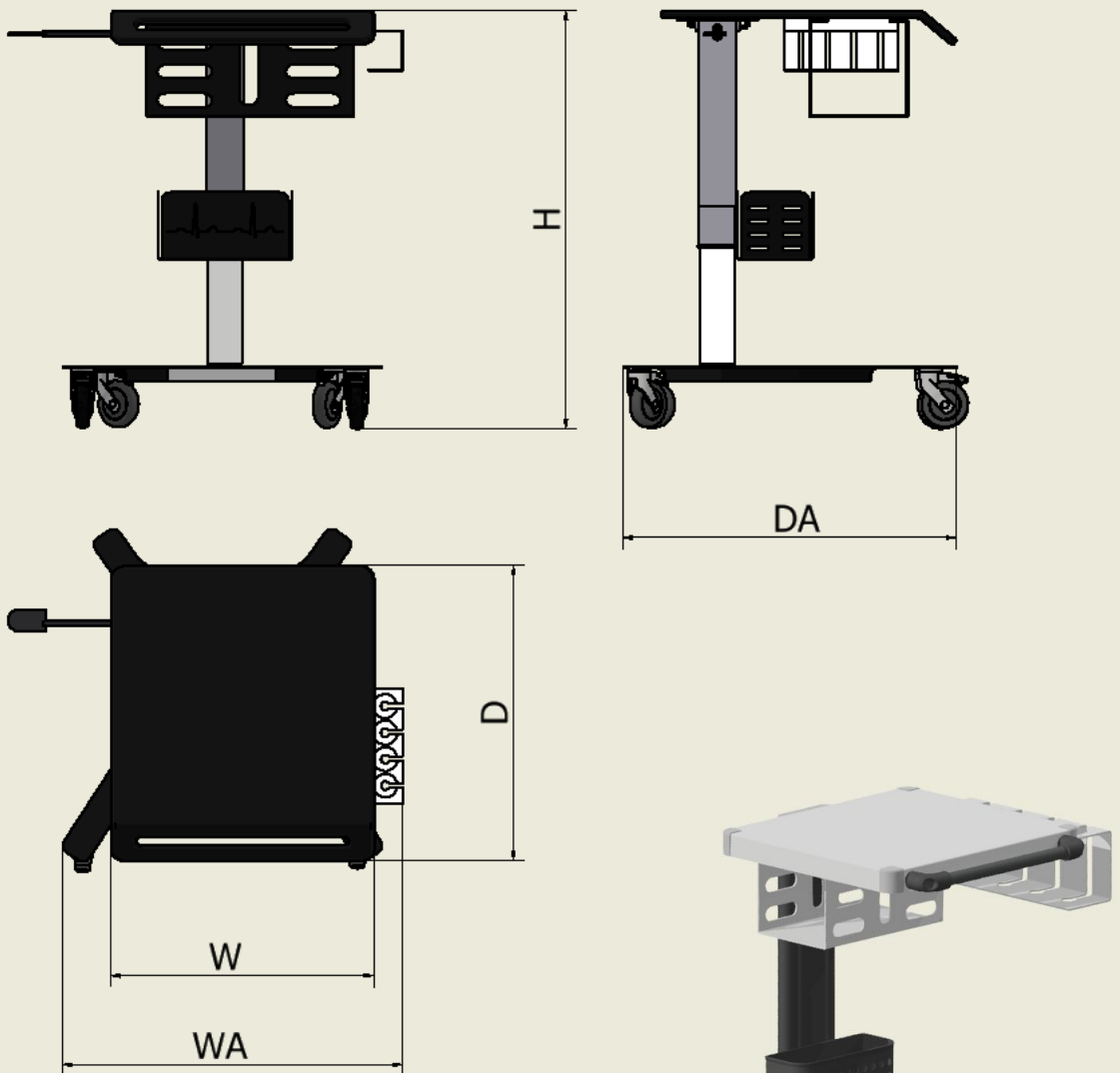
The CAR1P-LIFT trolley offers design and quality, ensuring maximum comfort and reliability. Designed to meet every need, it is a device conceived for the support and movement of medical and electromedical equipment. Extremely versatile, it offers an excellent quality-price ratio. The load-bearing structure is made of sturdy epoxy powder coated steel, treated by a 200° heat tunnel.

TECHNICAL FEATURES

ELEMENT(S)	DESCRIPTION
SHELF(S)	Made of 20/10 mm thick steel sheet, dimensions 450x430 mm, epoxy paint finish, complete with accessories. Included.
COLONNA/E	The supporting structure consists of a column with assisted lifting, with a minimum height from the ground of 76 cm and a maximum height from the ground of 116 cm.
BASE	Base In tubular steel measuring 60/30 x 2, with sheet metal that acts as a shelf Useful area 550x500 mm
BASKET	No.1 Height-adjustable basket made of plastic material
OPTIONAL	<ol style="list-style-type: none"> 1. Basket: made of metal material 2. Printer holder housing internal dimensions: D.30cm - H.12cm - L.17.5cm 3. Front handle for easy movement 4. 4-position probe holder accessory 5. Gel holder
PAINTING	The structure is completely painted with epoxy powders, treated via a thermal tunnel at 200°.



TECHNICAL FEATURES



Dimensions of the structure

H(max)	H(min)	DA	WA
mm	mm	mm	mm
117	780	550	500

Shelves

W	D
mm	mm
450	430



TECHNICAL FEATURES

Description

- Load-bearing structure composed of n.1 column with assisted lifting min. height from the ground 76cm, maximum height from the ground 116cm
- Laser cut base 55x50cm
- Nr.1 Shelf in painted steel sheet adjustable in height, suitable for supporting electromedical machines measuring 450x430 mm equipped with front handle, probe holder, and printer holder housing, gel holder
- Four twin wheels Ø 80 mm, the front ones are complete with double action brake
- No. 1 Height-adjustable basket made of plastic material
- Structure entirely painted with epoxy powders in a thermal tunnel at 200°

Base

- Solid sheet metal structure designed to avoid any overturning
- Treatment with epoxy paint finish in thermal tunnel

Wheels

Support	Poliammide
Pirouetting	on a double row of spheres
Band	in black antistatic/conductive and non-marking rubber
Core	Polyamide
Diameter	80 mm
Flow rate	50 kg each, in case of dynamic load.
Front wheels	with double action brake (simultaneous blocking of swiveling and rolling)
Fixing	fixing to the base with a snap-on system

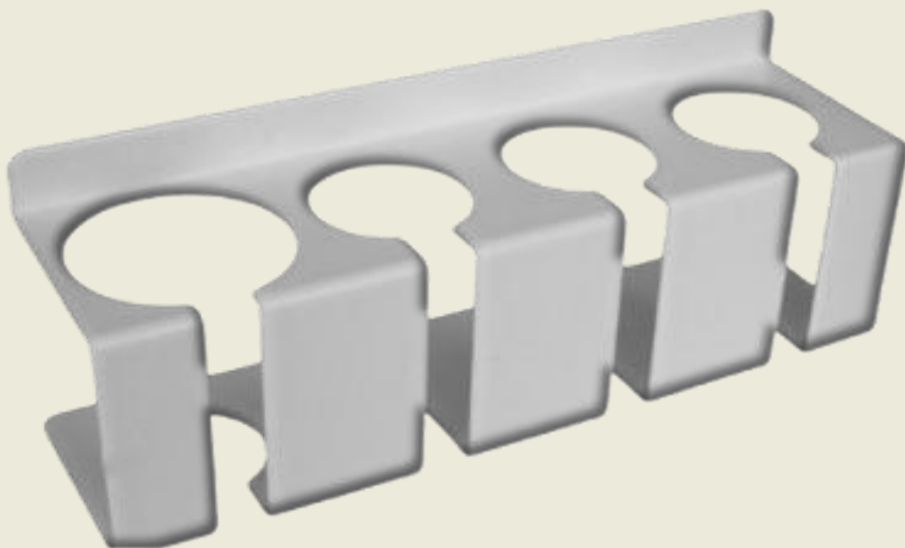
TECHNICAL FEATURES

Uprights

No. 1 central upright fixed firmly to the base of the trolley by screws.
The lifting column is pneumatically adjustable

Accessories included

- Basket: Made of plastic material with special holes for air passage, the basket is adjustable in height according to needs.
- Printer holder housing internal dimensions D.30cm - H.12cm - L.17.5cm
- Front handle that allows easy movement
- 4-position probe holder accessory
- Gel holder



▶ 4-position probe holder accessory

TECHNICAL FEATURES

The trolley is supplied disassembled and complete with:

- Registration with the Ministry of Health (CND)
- CE mark,
- RDM code
- Declaration of conformity,
- Accessories and assembly instructions



HIGH QUALITY
MADE IN ITALY

CUSTOM SOLUTIONS



Scan To Visit Our Website

To visit our websites, open your phone's camera app and scan the QR code below,

www.kartmedsolutions.com

