

# DATA SHEET

## PRODUCT DESCRIPTION

The CAR1P-TBL trolley from the TBL line is a mobile unit on wheels designed to ensure maximum comfort and reliability. Thanks to a functional design and high-quality materials, it is ideal for supporting and moving medical and electromedical equipment. Its versatility makes it perfect for healthcare environments, such as hospitals and clinics, where a practical and robust solution is required. With an excellent quality-price ratio, the CAR1P-TBL trolley fully meets the needs of those looking for a versatile and high-performance device.

## TECHNICAL FEATURES

### INTENDED USE

Mobile Device on wheels for Tablet support configured with:

No. 1 adjustable tablet support placed on the shelf

No. 1 Shelf 45x43cm with integrated handle

No. 1 Aluminum column

No. 1 Mesh basket (plasticized metal)

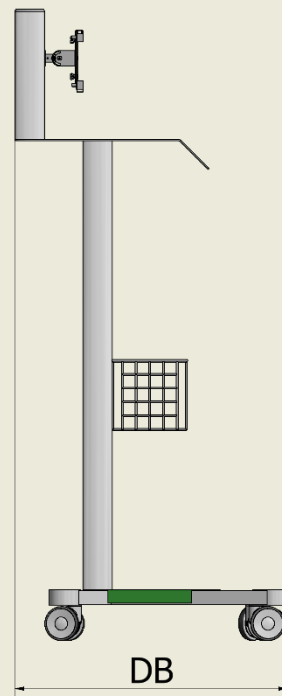
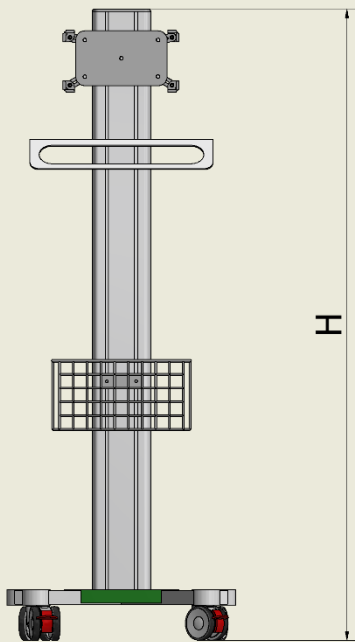
No. 1 Tubular base with colored central plate

Usable area: 500x550 mm

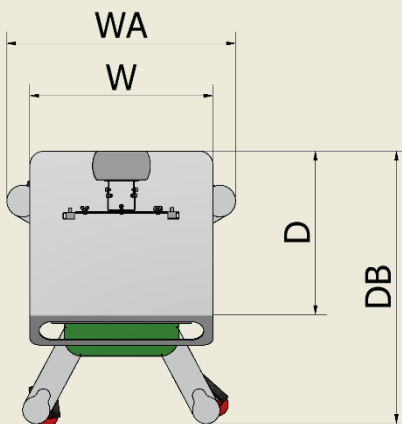
No. 4 Wheels diameter 80mm of which no. 2 with brake



# ISTRUZIONI DI MONTAGGIO



Shelves	
W	D
mm	mm
40	36



Dimensions of the structure		
H	WA	DB
mm	mm	mm
130	52	65



# TECHNICAL FEATURES

## Dimensional characteristics of the structure:

<b>OVERALL DIMENSIONS (LXWXD)</b>	52X65X130H	<b>PAINTING</b>	Epoxy powder coated in thermal tunnel 200° C
<b>MAX LOAD</b>	30 kg	<b>WHEELS</b>	DIAMETER 80MM
<b>WEIGHT</b>	20kg	<b>SHELF MEASUREMENT</b>	450X430mm
<b>MATERIAL</b>	Steel – aluminum	<b>COLUMNS</b>	Aluminum
<b>CAPS</b>	ABS	<b>HANDLE</b>	Steel

Compliant with Regulation (EU) 2017/745 on Class I Medical Devices

# CUSTOM SOLUTIONS



**Scan To Visit Our Website**

To visit our websites, open your phone's camera app and scan the QR code below,  
[www.kartmedsolutions.com](http://www.kartmedsolutions.com)

