

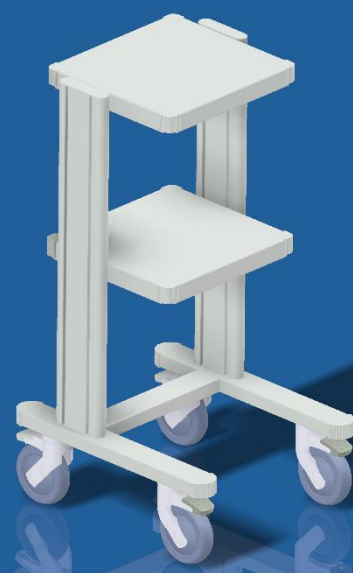
# DATA SHEET

## PRODUCT DESCRIPTION

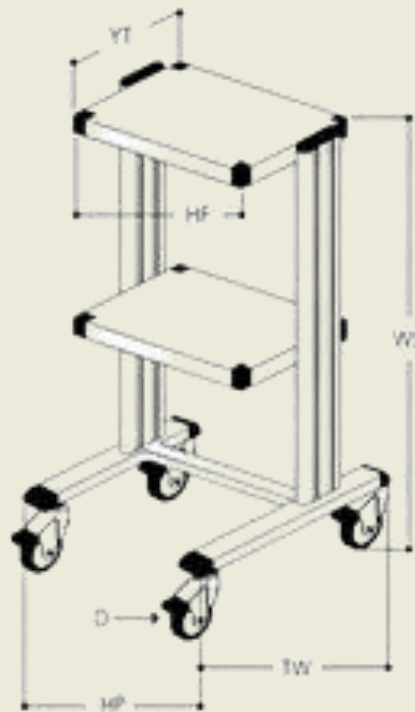
The LINEA BASIC mobile wheeled unit is designed to house equipment and instrumentation in a functional and safe way. Characterized by an ergonomic aluminum structure and a painted steel base with ABS bumper caps, it has a capacity of 50 kg and a useful area of 45x43 cm. It is versatile and can be equipped with optional accessories, with the possibility of being delivered in assembly kits. A practical and customizable solution for professional needs.

## TECHNICAL CHARACTERISTICS

ELEMENT/S	DESCRIPTION
SHELF(S)	2 movable and interchangeable shelves, adjustable in height, with anti-fall rear riser
COLONNA/E	COLUMN/S
BASE	Solid base in painted steel tubes, equipped with ABS bumper caps. Useful area: 45x43 cm
WHEELS	- 4 wheels Ø80, two of which at the front with brake, for easy and safe movement
OPTIONAL	Cable holder arm, probe holder, handpiece holder, basket. Available colours: medical light grey, dark grey, blue, white..
PAINTING	Painting with epoxy-polyester powders, textured gray color (RAL7035), scratch-resistant, with the possibility of other colors on request.
CAPS	ABS



# ASSEMBLY INSTRUCTIONS

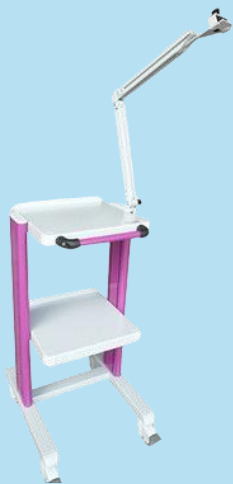


CODE	WHEELS	BASIC SIZE	TOTAL HEIGHT	SHELF SIZE	No. SHELVES
CAR2P45A	80	57-43	82	43-45	2
CAR2P60A	80	68-56	82	43-60	2
CAR3P45A	80	57-43	82	43-45	3
CAR3P60A	80	68-56	82	43-60	3
CAR4P45A	80	57-43	110	43-45	4
CAR4P60A	80	68-56	110	43-60	4
CAR5P45A	80	57-43	142	43-45	5
CAR5P60A	80	68-56	142	43-60	5
<b>REFERENCE</b>	D	TW - HP	WS	YT - HF	
	Cm Ø	Cm	Cm	Cm	

# ASSEMBLY INSTRUCTIONS

Structure	
Max Total Flow Rate	50 kg
Column	Aluminium
Wheels (mm Ø)	80
Color	RAL 7035

# CUSTOM SOLUTIONS



**Scan To Visit Our Website**

To visit our websites, open your phone's camera app and scan the QR code below,

[www.kartmedsolutions.com](http://www.kartmedsolutions.com)

