

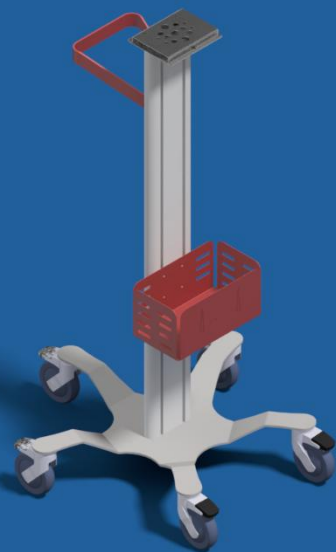
DATA SHEET

PRODUCT DESCRIPTION

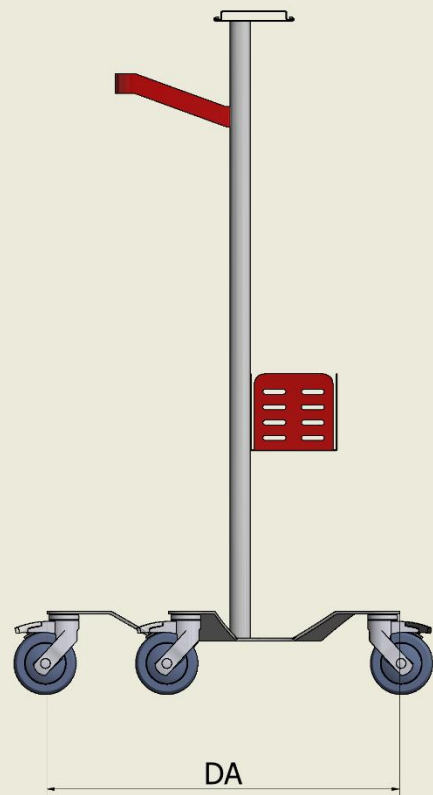
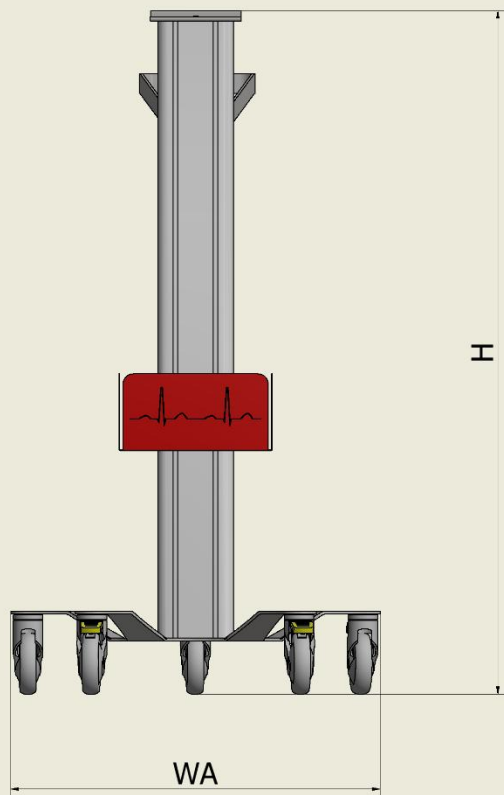
The CARBS-5RZ trolley is designed to offer a high level of comfort and reliability, responding fully to your needs. Intended for the support and movement of medical and electro-medical equipment, it stands out for its versatility and an excellent quality-price ratio. The load-bearing structure is made of solid steel, painted with epoxy powder through a thermal tunnel process at 200°C, ensuring durability and resistance over time.

TECHNICAL FEATURES

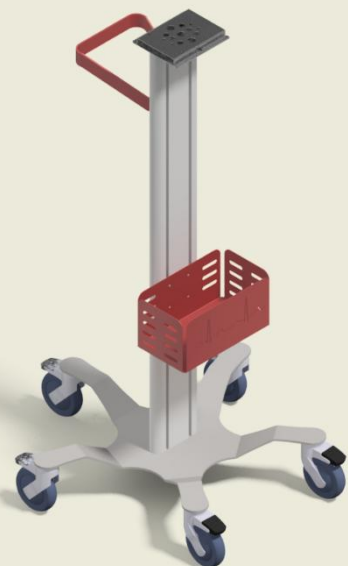
ELEMENT(S).	DESCRIPTION
SHELF(S).	Dimensions: 400 x 360 mm Integrated handle (maximum weight supported is 30 kg)
HANDLE	Steel
COLUMN(S).	Material: Extruded aluminum
BASE	5-spoke sheet metal base Useful area: 600 x 600 mm
BASKET	Material: Metal wire
SLIDE SHELF	Stainless steel with holes for monitor fixing
WHEELS	Five wheels Ø 80 mm, of which the front wheels are equipped with a double action brake to ensure safe parking of the trolley.
OPTIONAL	Plastic basket and extra shelf for added storage capacity and versatility.
PAINTING	Epoxy powder coating through a thermal process at 200°C for maximum resistance and durability.



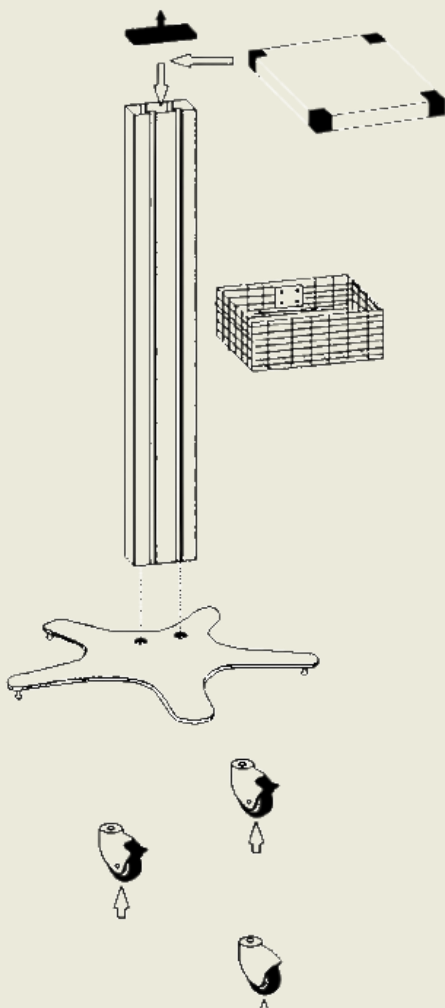
ASSEMBLY INSTRUCTIONS



Dimensions of the structure			
H(max)	H(min)	DA	WA
mm	mm	mm	mm
1150	750	600	600



ASSEMBLY INSTRUCTIONS



Structure

Max Total Flow	30 kg
Column	Aluminum
Wheels (mm Ø)	80
Max Height	115 cm
Min. Height	75 cm

The trolleys are supplied disassembled and complete with:

Registration with the Ministry of Health (CND)

CE mark,

Declaration of conformity,

Assembly instructions (if KIT delivery is planned)

TECHNICAL SPECIFICATIONS

Base

Solid structure, designed to prevent any overturning, on which the aluminum support bar is screwed with screws. The five wheels are positioned in the lower part.

Wheels

Support:	Polyamide
Pirouetting	on a double row of spheres
Band	in non-marking grey synthetic rubber
Core	Polyamide
Diameter	80mm
Flow rate	Load capacity of 50 kg for each wheel, under dynamic load conditions.
Front wheels	With double action brake (simultaneous blocking of swivel and rotary movement).
Fixing	Fixing to the base via a snap-fit system.

Upright

Upright firmly fixed to the base of the trolley by two M10x30 screws in galvanized steel. The upright is equipped with 2 longitudinal rails (slots), used to fix the various components of the trolley and any accessories.

Shelf

Made of 20/10 mm thick steel sheet, dimensions Depth 360mm Width 400mm, Integrated handle, with maximum load capacity of 25 kg.

TECHNICAL SPECIFICATIONS

Shelf

Made of 20/10 mm thick steel sheet, dimensions Depth 360mm Width 400mm, Integrated handle, with maximum load capacity of 25 kg.

Compliant with Regulation (EU) 2017/745 on Class I Medical Devices

CUSTOM SOLUTIONS



Scan To Visit Our Website

To visit our websites, open your phone's camera app and scan the QR code below,

www.kartmedsolutions.com

