

DATA SHEET

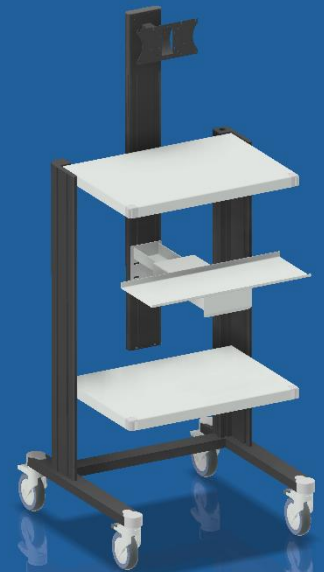
PRODUCT DESCRIPTION

The CARSPEC78/PDS medical trolley represents the optimal solution for supporting the equipment used in Cardiology and Stress Tests. With a solid and versatile structure, it offers high reliability and ease of movement and maneuvering. It is designed with two ergonomic extruded aluminum columns, which ensure excellent load capacity. The trolley is complete with all the accessory components necessary for the correct housing and use of the equipment, ensuring practical and efficient management of medical instruments.

TECHNICAL FEATURES

Composition

Max Total Flow	150 Kg
Wheels	Ø 125mm
Min. Height	100cm
Max Height	140cm
Shelves	60x43cm
Painting	Epoxy in thermal tunnel at 200° C
Weight	60 Kg



TECHNICAL FEATURES

Base

- 40/20 painted steel tubular structure designed to prevent any overturning, on which the aluminum support bar is screwed using screws, the four wheels are positioned in the lower part
- Treatment with epoxy paint finish
- Treatment with epoxy paint finish in thermal tunnel with textured White RAL9010 anti-scratch

Wheels

Support	Poliammide
Pirouetting	on a double row of spheres
Band	in black antistatic/conductive and non-marking rubber
Core	Polyamide
Diameter	80 mm
Flow rate	50 kg each, in case of dynamic load.
Front wheels	with double action brake (simultaneous blocking of swiveling and rolling)
Fixing	fixing to the base with a snap-on system

Uprights

No. 2 side uprights firmly fixed to the base of the trolley by means of two M10x30 screws each in galvanized steel. Each upright includes 2 tracks (slots) in the longitudinal direction, these tracks are used to fix the various components of the trolley and any accessories. All the elements fixed to the uprights can be adjusted in height. In the internal part there is a channel with open rubber to insert the cables of the machines so as to avoid. Treatment with epoxy paint finish

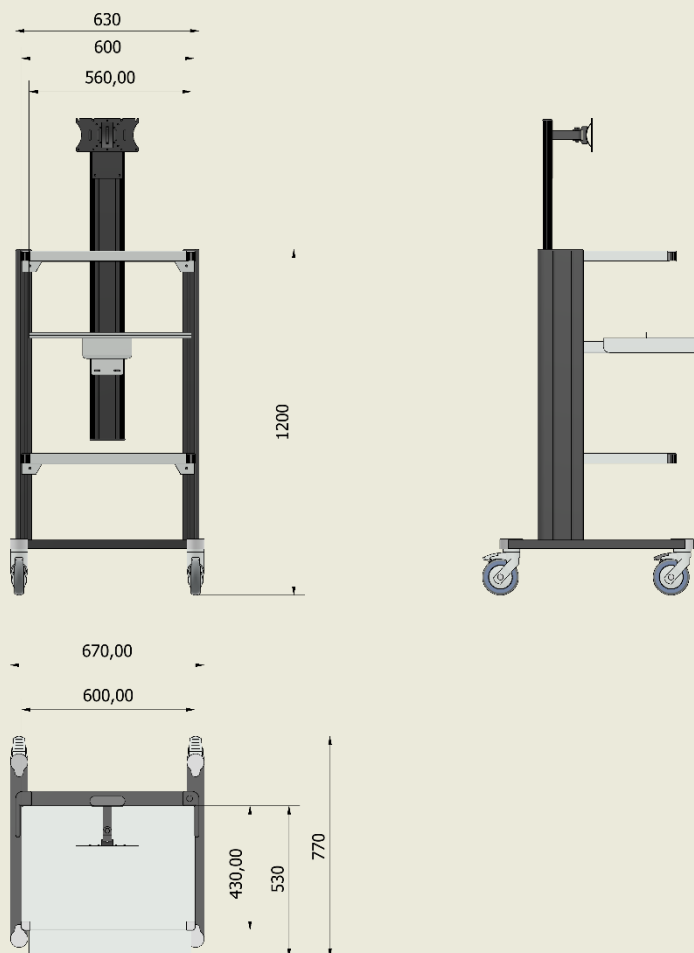
Accessories

- Monitor holder bracket
- Keyboard holder Support
- Push handle

TECHNICAL FEATURES

Intended use

The CARSPEC78/PDS mobile unit on wheels is designed for the movement and housing of small medical and electromedical equipment, offering a practical and functional solution for healthcare environments. It is particularly suitable for use in Cardiology, including ECG and stress tests, where efficient and safe management of medical devices is required. This trolley, thanks to its solid and versatile structure, guarantees reliability and ease of movement, resulting in an ideal support for the daily activities of healthcare personnel.



CARATTERISTICHE TECNICHE

Compliant with Regulation (EU) 2017/745 on Class I Medical Devices

CUSTOM SOLUTIONS



Scan To Visit Our Website

To visit our websites, open your phone's camera app and scan the QR code below,

www.kartmedsolutions.com

