

DATASHEET

PRODUCT DESCRIPTION

The CARSPEC15/45 trolley offers an innovative design and superior quality, ensuring comfort and reliability. Designed to meet the most complex needs, it is ideal for supporting and moving medical and electromedical equipment. Extremely versatile, it offers an excellent quality-price ratio. The load-bearing structure is made of solid steel, painted with epoxy powders through a 200° thermal tunnel process, ensuring resistance and durability over time.

TECHNICAL FEATURES

Composition

- Load-bearing structure composed of n.2 patented extruded aluminum bars and made exclusively by us with adjustable shelf size 45x43 cm. The upper part of the upright is closed with a special cap in thermoplastic material.
- Adjustable shelf at the base
- Drawer placed on the first level (the position of the elements can be changed)
- Base on wheels

Base

- Solid structure in painted steel sheet, designed to avoid any overturning on which the aluminium support bars are screwed using screws, the four wheels with bumpers are positioned in the lower part.
- At the ends of the bars, plastic caps are placed to close them off and act as bumpers.



TECHNICAL FEATURES

Wheels

Support	Poliammide
Pirouetting	on a double row of spheres
Band	in black antistatic/conductive and non-marking rubber
Core	Polyamide
Diameter	80 mm
Flow rate	50 kg each, in case of dynamic load.
Front wheels	with double action brake (simultaneous blocking of swiveling and rolling)
Fixing	fixing to the base with a snap-on system
Bumpers	The wheels are all equipped with special rubber bumpers to absorb impacts

Uprights

No. 2 uprights firmly fixed to the base of the trolley by means of two M10x50 galvanized steel screws for each upright. Each upright is equipped with 2 longitudinal rails, used to fix the shelf laterally and to support the accessories on the external part.

Shelf

- The Shelf is placed at the Base it is in steel sheet thickness 20/10 mm, dimensions mm. 450x430 mm, adjustable in height. The shelf is designed to accommodate machines and other objects to be placed. Capacity 60Kg.
- Upper shelf with Drawer in wood covered with sliding and harmonized guides measures 450x450 mm

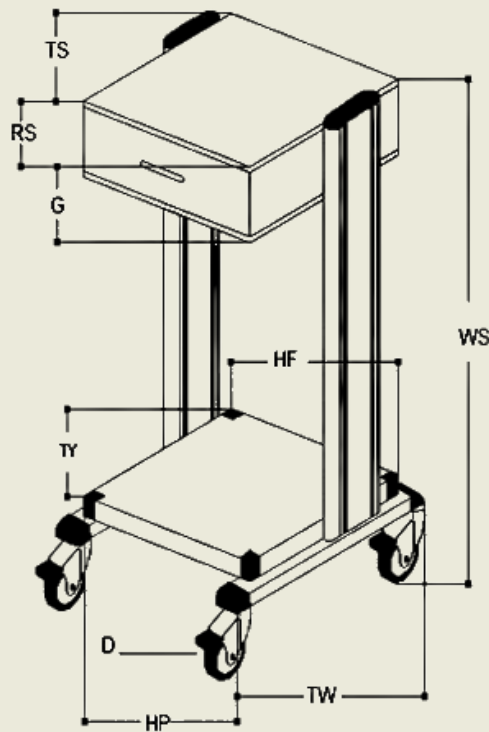
Accessories

- Cable holding arm with universal head for ECG cables.

Intended use

- The trolley is intended for use in medical environments, outpatient clinics, medical offices, cardiology visits and ECG

TECHNICAL FEATURES



CODE	WHEELS	MEASURE BASE	TOTAL HEIGHT	SHELF MEASUREMENT	MEASURE DRAWER	No. SHELVES
CARSPEC15/45CA	100	50-45	95	43-45	43-45-16	1
REFERENCE	D	TW - HP	WS	YT - HF	TS - RS - G	
	Cm Ø	Cm	Cm	Cm	Cm	

TECHNICAL FEATURES

Compliant with Regulation (EU) 2017/745 on Class I Medical Devices

CUSTOM SOLUTIONS



Scan To Visit Our Website

To visit our websites, open your phone's camera app and scan the QR code below,

www.kartmedsolutions.com

